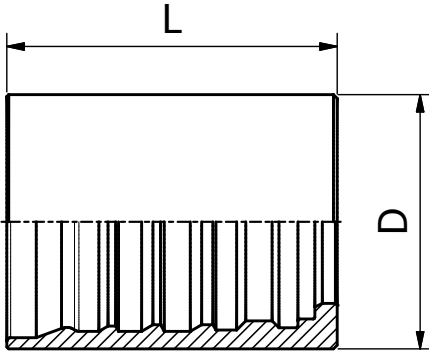


FERRULE

M01900

DOUBLE SKIVE FERRULE



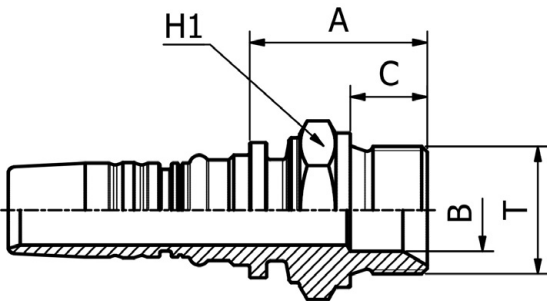
PART. REF.	HOSE BORE			DIMENSIONS mm							
	DN	Dash	inch			D	L				
M01900-20	31	-20	1.1/4"			68	88,2				
M01900-40	63	-40	2.1/2"			109	135				

FITTINGS 176

BS STANDARD CONNECTIONS

M30510

BSP MALE
PARALLEL 60° CONE SEAT
BS5200 / ISO 8434-6

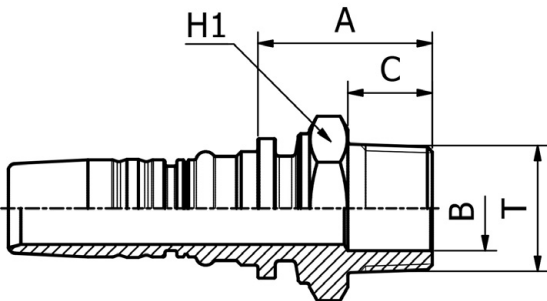


PART. REF.	HOSE BORE			Thread	DIMENSIONS mm						
	DN	Dash	inch	T	B	A	C	H1			
M30510-12-12	19	- 12	3/4"	3/4" - 14	17.0	37.0	16.0	32.0			
M30510-12-16	19	- 12	3/4"	1" - 11	22.5	43.0	19.0	41.0			
M30510-16-16	25	- 16	1"	1" - 11	22.5	43.0	19.0	41.0			
M30510-16-20	25	- 16	1"	1.1/4" - 11	28.5	48.0	20.0	50.0			
M30510-20-20	31	- 20	1.1/4"	1.1/4" - 11	28.5	50.5	20.0	50.0			
M30510-24-24	38	- 24	1.1/2"	1.1/2" - 11	33.5	54.5	22.0	55.0			
M30510-32-32	51	- 32	2"	2" - 11	42.0	58.0	25.0	70.0			

BS STANDARD CONNECTIONS

M30710

BSP
MALE TAPERED)



PART. REF.	HOSE BORE			Thread	DIMENSIONS mm						
	DN	Dash	inch	T	B	A	C	H1			
M30710-12-12	19	- 12	3/4"	3/4" BSPT	17.0	35.0	17.0	32.0			
M30710-16-16	25	- 16	1"	1" BSPT	22.5	41.5	21.0	41.0			
M30710-20-20	31	- 20	1.1/4"	1.1/4" BSPT	28.5	82.0	23.0	46.0			
M30710-24-24	38	- 24	1.1/2"	1.1/2" - 11	33.5	52.0	23.0	55.0			
M30710-32-32	51	- 32	2"	2" - 11	42.0	56.1	27.0	70.0			